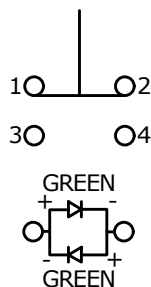
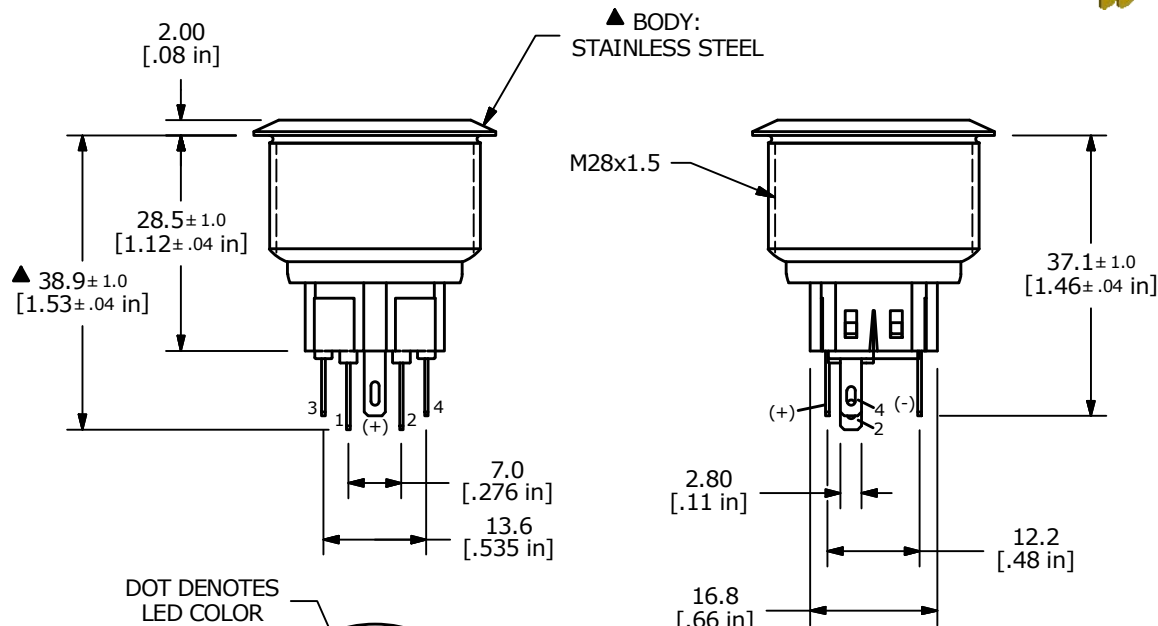


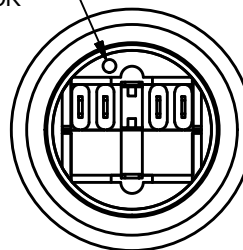
SWITCH FUNCTION	
POS. 1	POS. 2
1-2	3-4



▲ SPDT ON-(OFF)/OFF-(ON)  
CONTACT CONFIGURATION  
( ) DENOTES MOMENTARY FUNCTION



DOT DENOTES LED COLOR



- NOTE:
- ALL DIMENSIONS IN MM [INCH]
  - GENERAL TOLERANCE: X.X = ± 0.4  
X.XX = ± 0.25
  - TERMINAL NOS. FOR REF. ONLY
  - RATING: 2A @ 48VDC
  - CONTACT RESISTANCE: 50mΩ MAX. @ 1A 12VDC
  - INSULATION RESISTANCE: 1,000MΩ @ 500VDC
  - DIELECTRIC STRENGTH: 2,000VAC MIN. FOR 1 MINUTE
  - ELECTRICAL LIFE: 50,000 CYCLES
  - OPERATING TEMPERATURE: -20°C TO 55°C
  - INGRESS PROTECTION: IP66
  - SUPPLIED HARDWARE: O-RING AND HEXNUT
  - ▲ DENOTES CRITICAL PARAMETER
  - ▲ 13. ILLUMINATION COLOR: GREEN (FORWARD), GREEN (REVERSE)
  - ▲ 14. ILLUMINATION VOLTAGE: 24V



B	23840	UPDATED RATING TO IP66	4/8/19	MJR
A	21898	RELEASE FOR PRODUCTION	7/1/15	MW
REV	PCR NO	DESCRIPTION	DATE	BY

TITLE PV9F2Y0SS-335				
SCALE 1:1	DATE 7/1/2015	DR MW	DWG 52-PV9F2Y0SS335	REV B